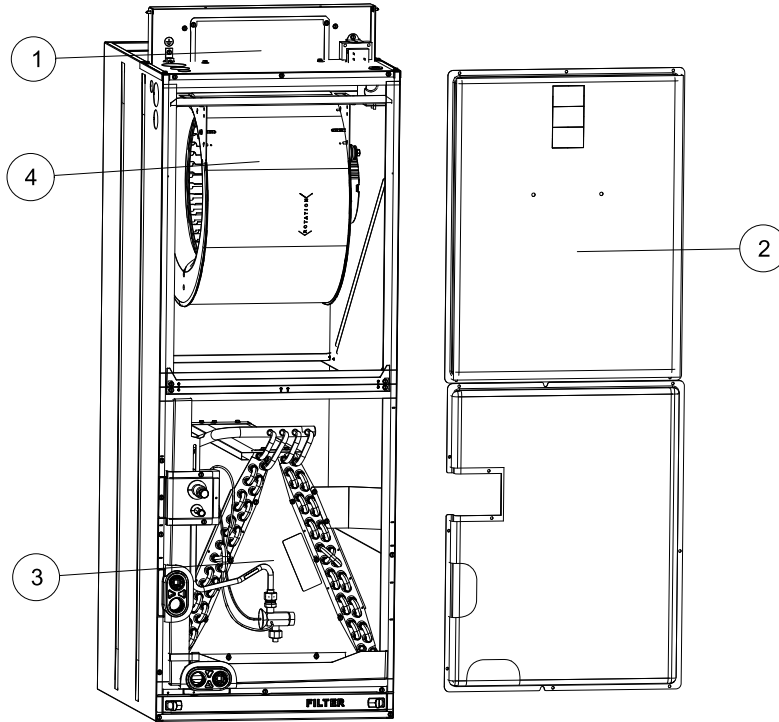


RFC SERIES SINGLE PIECE AIR HANDLERS WITH ECM MOTORS, TXV COIL MODELS

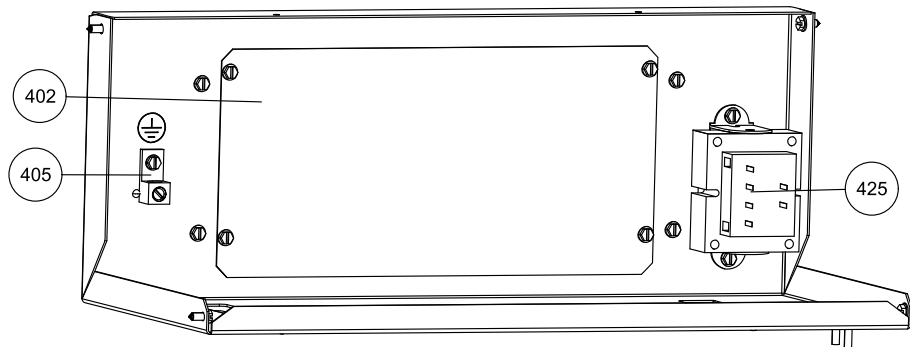
REPAIR PARTS LIST

PRINTED DATE: 4/9/2024

The information provided to you may include Johnson Controls' trade secrets, intellectual property, and confidential business information (including its Bill of Materials), and this information is to be kept in the strictest confidence and not to be disclosed to any third party without the prior written consent of Johnson Controls.



Section	Description
1	ELECTRICAL BOX / CONTROLS
2	SHEET METAL / CABINET PARTS
3	REFRIGERATION SYSTEM
4	INDOOR BLOWER PARTS
8	MISCELLANEOUS
9	WIRING DIAGRAMS / VFD PARAMETERS
10	HARNESSES

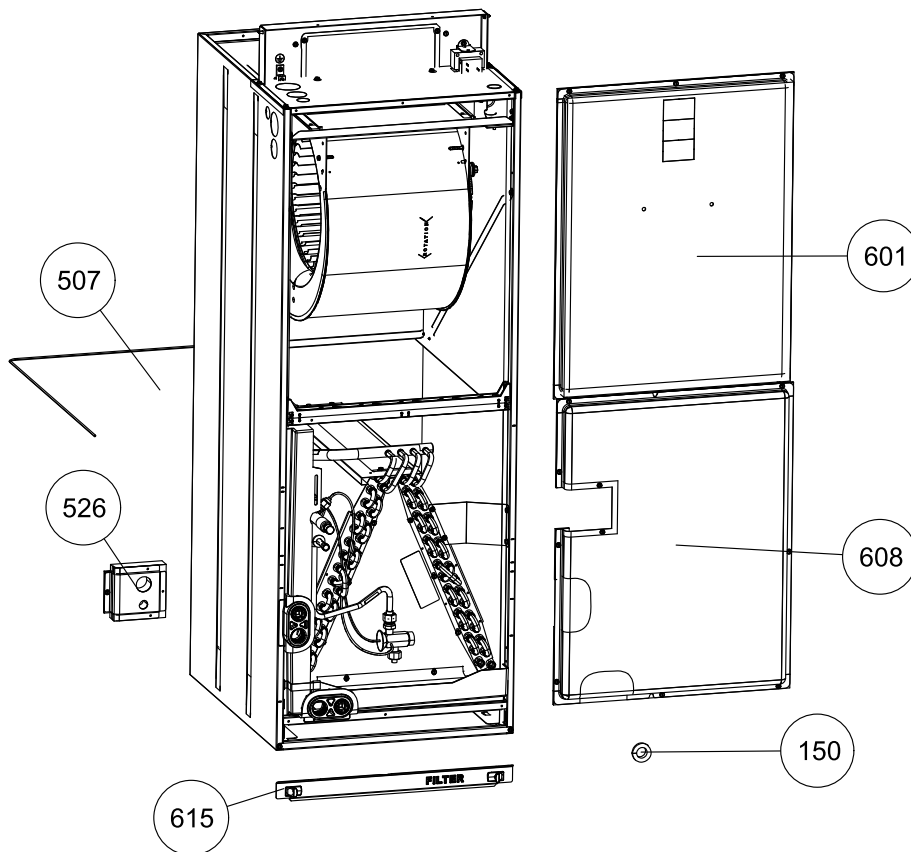


Section : ELECTRICAL BOX / CONTROLS

Section	Callout	Replacement Part #	Description	Original Part #	RFCB18B BAEMP2 N1	RFCB18B BAEMP2 N1	RFCB24C BAEMP2 N1	RFCB24C BAEMP2 N1	RFCB30D BAEMP2 N1
1	402	S1-07339412001	COVER,HEAT	S1-07339412001	1	1	1	1	1
1	405	S1-02521798000	LUG,GROUND,ELECTRICAL ALUMINUM 1.06 X .5	S1-02521798000	1	1	1	1	1
1	425	S1-02518452700	TRNSF,208/240V,24V/40VA,50/60 HZ	S1-02518452700	1	1	1	1	1

Section	Callout	Replacement Part #	Description	Original Part #	RFCB30D BAEMP2 N1	RFCB36D BAEMP2 N1	RFCB36D BAEMP2 N1	RFCC36D BAEMP2 N1	RFCC42F BAEMP2 N1
1	402	S1-07339412001	COVER,HEAT	S1-07339412001	1	1	1	1	1
1	405	S1-02521798000	LUG,GROUND,ELECTRICAL ALUMINUM 1.06 X .5	S1-02521798000	1	1	1	1	1
1	425	S1-02518452700	TRNSF,208/240V,24V/40VA,50/60 HZ	S1-02518452700	1	1	1	1	1

Suggested stocking items are shown with shaded item number.



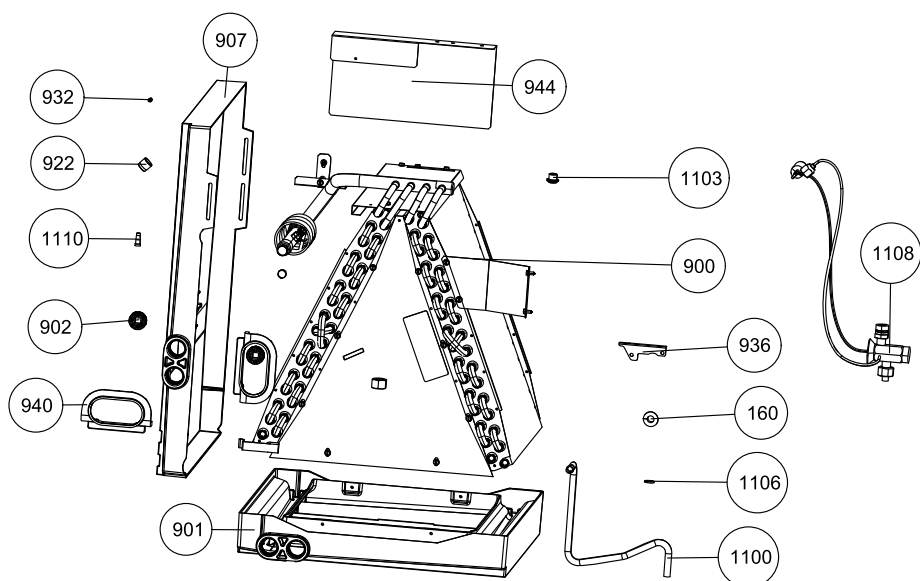
Section : SHEET METAL / CABINET PARTS

Section	Callout	Replacement Part #	Description	Original Part #	RFCB18B BAEMP2 N1	RFCB18B BAEMP2 N1	RFCB24C BAEMP2 N1	RFCB24C BAEMP2 N1	RFCB30D BAEMP2 N1
2	NS	S1-02818911000	KNOB,PANEL,ACCESS,FILTER	S1-02818911000	2	2	2	2	2
2	150	S1-02813204000	GROMMET 3/4 INCH	S1-02813204000	1	1	1	1	1
2	507	S1-02925441000	INSULATION RETAINER,B-CABINET	S1-02925441000	1	1	1	1	1
2	512	S1-02818907000	BRACE,CABINET,CENTER,17.5	S1-02818907000	1	1	1	1	1
2	523	S1-37348867001	PNL,ASSEM,TOP,W/INSUL,17.5,CHAMP	S1-37348867001	1	1	1	1	1
2	526	S1-37348887001	PNL,ASSEM,TUBING ACCESS,W/INSUL,GRANT	S1-37348887001	1	1	1	1	1
2	601	S1-37348889001	PNL,ASSEM,UPPER ACCESS,17.5,GRANT	S1-37348889001	1	1	1	1	1
2	608	S1-37348871001	PNL,ASSEM,LOWER ACCESS,22.4 X 17.5,GRANT	S1-37348871001	1	1			
2	608	S1-37348873001	PNL,ASSEM,LOWER ACCESS,25.0 X 17.5,GRANT	S1-37348873001			1	1	1
2	615	S1-37348862001	PNL,ASSEM,FILTER ACCESS,17.5,GRANT	S1-37348862001	1	1	1	1	1
2	617	S1-02817061001	GASKET,FOAM,5/8 X 1/8 INCH,100 FOOT ROLL	S1-02817061001	2	2	2	2	2

Section	Callout	Replacement Part #	Description	Original Part #	RFCB30D BAEMP2 N1	RFCB36D BAEMP2 N1	RFCB36D BAEMP2 N1	RFCC36D BAEMP2 N1	RFCC42F BAEMP2 N1
2	NS	S1-02818911000	KNOB,PANEL,ACCESS,FILTER	S1-02818911000	2	2	2	2	2

2	150	S1-02813204000	GROMMET 3/4 INCH	S1-02813204000	1	1	1	1	
2	150	S1-02813205000	GROMMET 7/8 INCH	S1-02813205000					1
2	507	S1-02925441000	INSULATION RETAINER,B-CABINET	S1-02925441000	1	1	1		
2	507	S1-02925442000	INSULATION RETAINER,C-CABINET	S1-02925442000				1	1
2	512	S1-02818907000	BRACE,CABINET,CENTER,17.5	S1-02818907000	1	1	1		
2	512	S1-02818908000	BRACE,CABINET,CENTER,21.5	S1-02818908000				1	1
2	523	S1-37348867001	PNL,ASSEM,TOP,W/INSUL,17.5,CHAMP	S1-37348867001	1	1	1		
2	523	S1-37348868001	PNL,ASSEM,TOP,W/INSUL,21.0,CHAMP	S1-37348868001				1	1
2	526	S1-37348887001	PNL,ASSEM,TUBING ACCESS,W/INSUL,GRANT	S1-37348887001	1	1	1	1	1
2	601	S1-37348889001	PNL,ASSEM,UPPER ACCESS,17.5,GRANT	S1-37348889001	1	1	1		
2	601	S1-37348891001	PNL,ASSEM,UPPER ACCESS,21.0,GRANT	S1-37348891001				1	1
2	608	S1-37348873001	PNL,ASSEM,LOWER ACCESS,25.0 X 17.5,GRANT	S1-37348873001	1	1	1		
2	608	S1-37348875001	PNL,ASSEM,LOWER ACCESS,26.4 X 21.0,GRANT	S1-37348875001				1	
2	608	S1-37348878001	PNL,ASSEM,LOWER ACCESS,32.4 X 21.0,GRANT	S1-37348878001					1
2	615	S1-37348862001	PNL,ASSEM,FILTER ACCESS,17.5,GRANT	S1-37348862001	1	1	1		
2	615	S1-37348864001	PNL,ASSEM,FILTER ACCESS,21.0,GRANT	S1-37348864001				1	1
2	617	S1-02817061001	GASKET,FOAM,5/8 X 1/8 INCH,100 FOOT ROLL	S1-02817061001	2	2	2	2	2

Suggested stocking items are shown with shaded item number.



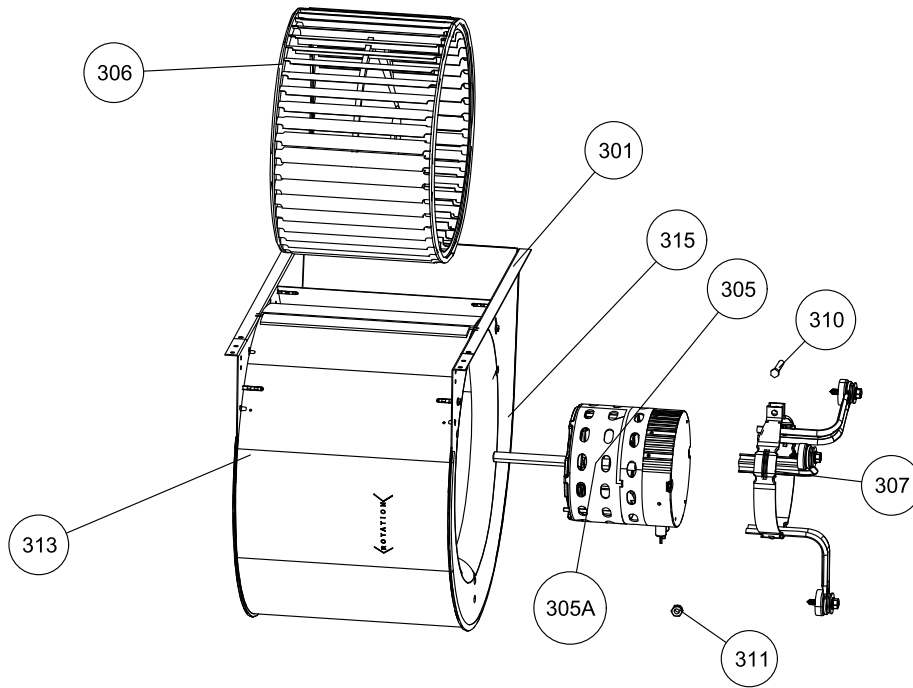
Section : REFRIGERATION SYSTEM

Section	Callout	Replacement Part #	Description	Original Part #	RFCB18B BAEMP2 N1	RFCB18B BAEMP2 N1	RFCB24C BAEMP2 N1	RFCB24C BAEMP2 N1	RFCB30D BAEMP2 N1
3	NS	S1-02131419000	WASHER, TXV	S1-02131419000	2	2	2	2	2
3	160	S1-02813209000	GROMMET 3/8 INCH	S1-02813209000	1	1	1	1	1
3	900	S1-37348830001	COIL W/HORIZ DP, (2R/16/17.5), ALU FLEX	S1-37348830001	1	1			
3	900	S1-37348831001	COIL W/HORIZ DP, (2R/20/17.5), ALU FLEX	S1-37348831001			1	1	
3	900	S1-37348832001	COIL W/HORIZ DP, (3R/20/17.5), ALU FLEX	S1-37348832001					1
3	901	S1-02818415000	PAN, DRAIN, 2R, 17.5 IN, A-COIL	S1-02818415000	1	1	1	1	
3	901	S1-02818863000	PAN, DRAIN, 3R, 17.5 IN, A-COIL	S1-02818863000					1
3	902	S1-02812480001	PLUG, DRAIN PAN	S1-02812480001	3	3	3	3	3
3	907	S1-02818871000	PAN, DRAIN, HORIZONTAL, 21.05 IN, A-COIL	S1-02818871000	1	1			
3	907	S1-02818872000	PAN, DRAIN, HORIZONTAL, 23.80 IN, A-COIL	S1-02818872000			1	1	1
3	909	S1-07348812001	SHIELD. BLOWOFF, 2 ROW	S1-07348812001	1	1	1	1	
3	909	S1-07348813001	SHIELD. BLOWOFF, 3 ROW	S1-07348813001					1
3	918	S1-07348817001	BRACKET, FRONT COIL MOUNT, 2R, 16H-17.5	S1-07348817001	1	1			

3	922	S1-02310745000	CAP,SEAL,KNURLED 7/1	S1-02310745000	1	1	1	1	1
3	932	S1-02202475700	CORE,VLV,V PORT (M10)	S1-02202475700	1	1	1	1	1
3	935	S1-02310745000	CAP,SEAL,KNURLED 7/1	S1-02310745000	1	1	1	1	1
3	940	S1-02818913000	GASKET,DRAIN PAN	S1-02818913000	2	2	2	2	2
3	1106	S1-02131419000	WASHER, TXV	S1-02131419000	1	1	1	1	1
3	1108	S1-1TVMBA1	KIT, TXV, R-410A, 3/4 INCH CHATLEFF CONN	S1-1TVMBA1	1	1	1	1	1

Section	Callout	Replacement Part #	Description	Original Part #	RFCB30D BAEMP2 N1	RFCB36D BAEMP2 N1	RFCB36D BAEMP2 N1	RFCC36D BAEMP2 N1	RFCC42F BAEMP2 N1
3	NS	S1-02131419000	WASHER, TXV	S1-02131419000	2	2	2	2	2
3	160	S1-02813209000	GROMMET 3/8 INCH	S1-02813209000	1	1	1	1	1
3	900	S1-37348832001	COIL W/HORIZ DP,(3R/20/17.5),ALU FLEX	S1-37348832001	1	1	1		
3	900	S1-37348833001	COIL W/HORIZ DP,(3R/20/21.0),ALU FLEX	S1-37348833001				1	
3	900	S1-37348834001	COIL W/HORIZ DP,(3R/24/21.0),ALU FLEX	S1-37348834001					1
3	901	S1-02818863000	PAN,DRAIN,3R,17.5 IN,A-COIL	S1-02818863000	1	1	1		
3	901	S1-02818864000	PAN,DRAIN,3R,21.0 IN,A-COIL	S1-02818864000				1	1
3	902	S1-02812480001	PLUG,DRAIN PAN	S1-02812480001	3	3	3	3	3
3	907	S1-02818872000	PAN,DRAIN,HORIZONTAL,23.80 IN,A-COIL	S1-02818872000	1	1	1	1	
3	907	S1-02818874000	PAN,DRAIN,HORIZONTAL,30.90 IN,A-COIL	S1-02818874000					1
3	909	S1-07348813001	SHIELD.BLOWOFF,3 ROW	S1-07348813001	1	1	1	1	1
3	922	S1-02310745000	CAP,SEAL,KNURLED 7/1	S1-02310745000	1	1	1	1	1
3	932	S1-02202475700	CORE,VLV,V PORT (M10)	S1-02202475700	1	1	1	1	1
3	935	S1-02310745000	CAP,SEAL,KNURLED 7/1	S1-02310745000	1	1	1	1	1
3	940	S1-02818913000	GASKET,DRAIN PAN	S1-02818913000	2	2	2	2	2
3	1106	S1-02131419000	WASHER, TXV	S1-02131419000	1	1	1	1	1
3	1108	S1-1TVMBA1	KIT, TXV, R-410A, 3/4 INCH CHATLEFF CONN	S1-1TVMBA1	1	1	1	1	1

Suggested stocking items are shown with shaded item number.



Section : INDOOR BLOWER PARTS

Section	Callout	Replacement Part #	Description	Original Part #	RFCB18B BAEMP2 N1	RFCB18B BAEMP2 N1	RFCB24C BAEMP2 N1	RFCB24C BAEMP2 N1	RFCB30D BAEMP2 N1
4	305	S1-32442185001	MTR,BLW,PRGRM,1/3,230V,EC M,BROAD OCEAN	S1-32442185001	1	1			
4	305	S1-32442185002	MTR,BLW,PRGRM,1/3,230V,EC M,BROAD OCEAN	S1-32442185002			1	1	
4	305	S1-32442186001	MTR,BLW,PRGRM,1/2,230V,EC M,BROAD OCEAN	S1-32442186001					1
4	305A	S1-02442185000	MTR,BLW,UNPRGRM,1/3,230V,ECM,BROAD OCEAN	S1-02442185000	1	1	1	1	
4	305A	S1-02442186000	MTR,BLW,UNPRGRM,1/2,230V,ECM,BROAD OCEAN	S1-02442186000					1
4	306	S1-02650615000	WHL,BLW,11-8	S1-02650615000	1	1	1	1	1
4	307	S1-32650612001	MOUNT,ASSEMBLY,BLWR MOTOR	S1-32650612001	1	1	1	1	1
4	311	S1-02108968000	NUT,HEX,SELF LOCKING,1/4-20	S1-02108968000	1	1	1	1	1
4	313	S1-37348827001	HOUSING,BLOWER,11-8,AHU/MOD	S1-37348827001	1	1	1	1	1

Section	Callout	Replacement Part #	Description	Original Part #	RFCB30D BAEMP2 N1	RFCB36D BAEMP2 N1	RFCB36D BAEMP2 N1	RFCC36D BAEMP2 N1	RFCC42F BAEMP2 N1
4	305	S1-32442186001	MTR,BLW,PRGRM,1/2,230V,EC M,BROAD OCEAN	S1-32442186001	1				
4	305	S1-32442186002	MTR,BLW,PRGRM,1/2,230V,EC M,BROAD OCEAN	S1-32442186002		1	1		
4	305	S1-32442186003	MTR,BLW,PRGRM,1/2,230V,EC M,BROAD OCEAN	S1-32442186003				1	

4	305	S1-32442186004	MTR,BLW,PRGRM,1/2,230V,EC M,BROAD OCEAN	S1- 32442186 004					1
4	305A	S1-02442186000	MTR,BLW,UNPRGRM,1/2,230V, ECM,BROAD OCEAN	S1- 02442186 000	1	1	1	1	1
4	306	S1-02619654012	WHL,BLW,11 X 10,CW,1/2 BORE	S1- 02619654 012				1	1
4	306	S1-02619654012	WHL,BLW,11 X 10,CW,1/2 BORE	S1- 02634501 000				1	1
4	306	S1-02650615000	WHL,BLW,11-8	S1- 02650615 000	1	1	1		
4	307	S1-32650612001	MOUNT,ASSEMBLY,BLWR MOTOR	S1- 32650612 001	1	1	1	1	1
4	311	S1-02108968000	NUT,HEX,SELF LOCKING,1/4-20	S1- 02108968 000	1	1	1	1	1
4	313	S1-37348827001	HOUSING,BLOWER,11- 8,AHU/MOD	S1- 37348827 001	1	1	1		
4	313	S1-37348828001	HOUSING,BLOWER,11- 10,AHU/MOD	S1- 37348828 001				1	1

Suggested stocking items are shown with shaded item number.

Section : MISCELLANEOUS

Section	Callout	Replacement Part #	Description	Original Part #	RFCB18B BAEMP2 N1	RFCB18B BAEMP2 N1	RFCB24C BAEMP2 N1	RFCB24C BAEMP2 N1	RFCB30D BAEMP2 N1
8	NS	6112631	INSTALL MANUAL - RFC STD ECM	6112631	1	1	1	1	1
8	NS	S1-02527642000	CABLE STRAP,BLACK	S1- 02509607 000	1	1	1	1	1
8	NS	S1-02816488000	BADGING,GUARDIAN,ID,ML (M24)	S1- 02816488 000	1	1	1	1	1
8	NS	S1-02816489000	BADGING,EVCON,ID,ML (M24)	S1- 02816489 000	1	1	1	1	1
8	NS	S1-02816490000	BADGING,DAYTON,ID,ML (M24)	S1- 02816490 000	1	1	1	1	1

Section	Callout	Replacement Part #	Description	Original Part #	RFCB30D BAEMP2 N1	RFCB36D BAEMP2 N1	RFCB36D BAEMP2 N1	RFCC36D BAEMP2 N1	RFCC42F BAEMP2 N1
8	NS	6112631	INSTALL MANUAL - RFC STD ECM	6112631	1	1	1	1	1
8	NS	S1-02527642000	CABLE STRAP,BLACK	S1- 02509607 000	1	1	1		
8	NS	S1-02816488000	BADGING,GUARDIAN,ID,ML (M24)	S1- 02816488 000	1	1	1		
8	NS	S1-02816489000	BADGING,EVCON,ID,ML (M24)	S1- 02816489 000	1	1	1		
8	NS	S1-02816490000	BADGING,DAYTON,ID,ML (M24)	S1- 02816490 000	1	1	1		

Suggested stocking items are shown with shaded item number.

Section : WIRING DIAGRAMS / VFD PARAMETERS

Section	Callout	Replacement Part #	Description	Original Part #	RFCB18B BAEMP2 N1	RFCB18B BAEMP2 N1	RFCB24C BAEMP2 N1	RFCB24C BAEMP2 N1	RFCB30D BAEMP2 N1
9	9	6113166	WIRING DIAGRAM - 5.5 X 8.5 STD ECM	6113166	1	1	1	1	1

Section	Callout	Replacement Part #	Description	Original Part #	RFCB30D BAEMP2 N1	RFCB36D BAEMP2 N1	RFCB36D BAEMP2 N1	RFCC36D BAEMP2 N1	RFCC42F BAEMP2 N1
9	9	6113166	WIRING DIAGRAM - 5.5 X 8.5 STD ECM	6113166	1	1	1	1	1

Suggested stocking items are shown with shaded item number.

Section : HARNESES

Section	Callout	Replacement Part #	Description	Original Part #	RFCB18B BAEMP2 N1	RFCB18B BAEMP2 N1	RFCB24C BAEMP2 N1	RFCB24C BAEMP2 N1	RFCB30D BAEMP2 N1
10	406	S1-02552099000	HARNESS,JHET/JMET,ECM STD	S1- 02552099 000	1	1	1	1	1

Section	Callout	Replacement Part #	Description	Original Part #	RFCB30D BAEMP2 N1	RFCB36D BAEMP2 N1	RFCB36D BAEMP2 N1	RFCC36D BAEMP2 N1	RFCC42F BAEMP2 N1
10	406	S1-02552099000	HARNESS,JHET/JMET,ECM STD	S1- 02552099 000	1	1	1	1	1

Suggested stocking items are shown with shaded item number.

Model series repair parts lists are generated for each model number from the last production bill of material.

Major components and suggested stocking items are shown with shaded item number.

Repair parts lists are subject to change without notice.

TO ORDER AUTHORIZED FACTORY REPLACEMENT PARTS - Contact your Source1 HVAC Parts Distributor or visit our website at www.Source1Parts.com for a Distributor and Dealer listing.

Copyright © 2024 by Johnson Controls Inc. All rights reserved.

Johnson Controls Unitary Products